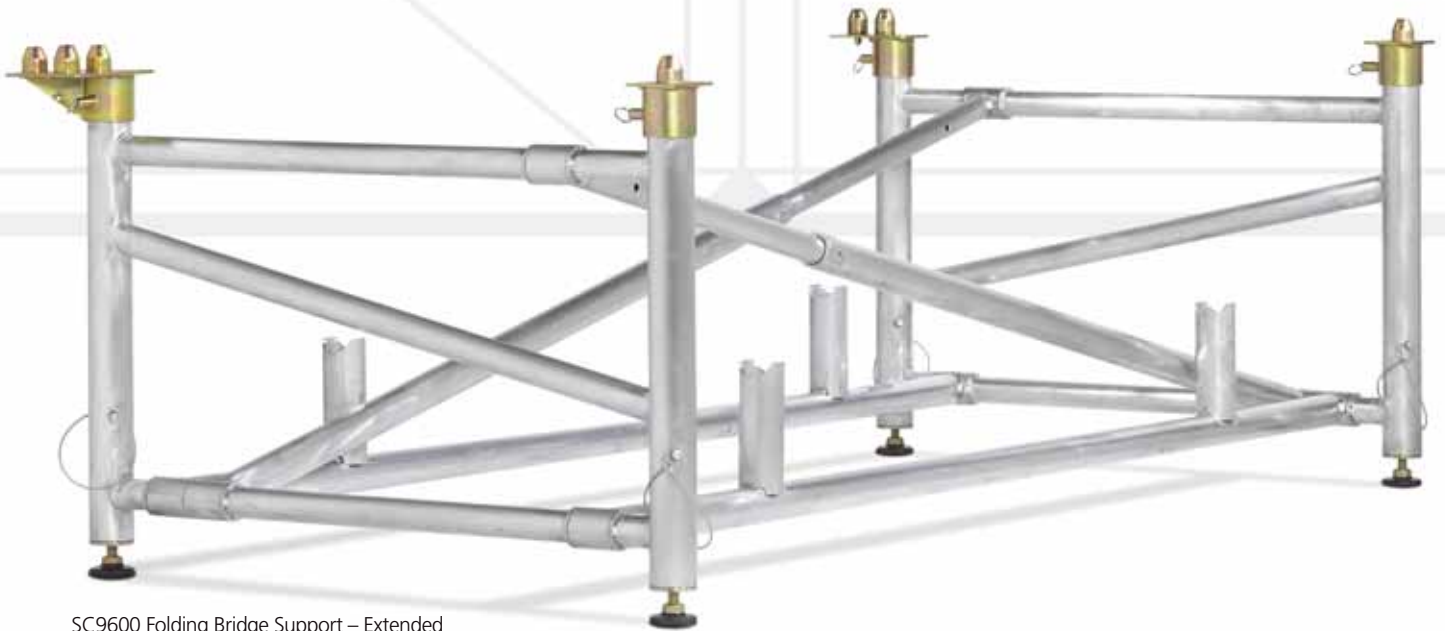


# SC9600 FOLDING BRIDGE SUPPORT

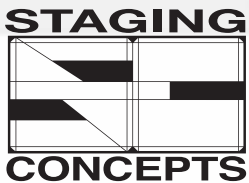
Just like our SC9600 Bridge Support, the Collapsible SC9600's key benefit is its easy setup and take down. It has all the same features as the SC9600, but there is no loose bracing.



SC9600 Folding Bridge Support – Extended



SC9600 Folding Bridge Support – Collapsed and Stacked



# SC9600 FOLDING BRIDGE SUPPORT

## ADVANTAGES

### Efficiency

- "Bridges" platforms front to back and side to side, resulting in fewer supports for fast setup and strike
- Horizontal and diagonal braces are an integral part of support – no loose bracing
- Locator nodes lock into place on each column and automatically align platforms – no need for readjustments
- Setup easily by two people with no special tools
- For use with all Staging Concepts' platforms

### Adjustability

- Coarse and fine adjustment for uneven terrain or level changes
- Wide range of adjustable heights available

### Variety

- All-Terrain style SC9600 Bridge Support System is ideal for outdoor applications
- Arena style SC9600 Bridge Support System suits indoor venues
- Fixed heights available upon request

### Durability

- Constructed of lightweight aluminum
- Not subject to rust

### Durability

- When in folded position, support frames stack one on top of another for easy, quick storage

## TECHNICAL SPECIFICATIONS

The SC9600 Collapsible Bridge Support System is used with SC90 and SC97 Platforms and complies with the following:

- Adjustable heights: 24 inches – 36 inches (610mm x 914mm), 36 inches – 54 inches (914mm x 1372mm), 48 inches – 76 inches (1219mm x 1930mm)
  - Adjust coarse height by 4 inch (102mm) increments using a 5/8 inch (16mm) locking pin. Allow 3 inches (76mm) additional fine height adjustment through use of integral acme thread adjustable screw foot
- Capable of being erected without use of tools
- Main vertical members: 2-1/2 inch (64mm) IPS, Schedule 40 6105-T6 aluminum pipe
- Main horizontal members: 2 inch (51mm) OD 6105-T6 aluminum pipe
- Telescoping columns: 2 inch (51mm) IPS Schedule 80, 6105-T6 aluminum tubing
  - Manually operated quick release structural fitting to each end

## DIMENSIONS, WEIGHTS, AND FINISH OPTIONS

### SC9600 Folding Bridge Support All-Terrain and Arena Styles

| Description                                   | Weight (lbs/kg) |
|---|-----------------|
| 24" – 36" (610mm – 914mm) adjustable height   | 125/56.7        |
| 36" – 54" (914mm – 1372mm) adjustable height  | 140/63.5        |
| 48" – 76" (1219mm – 1930mm) adjustable height | 155/70.3        |

*\*\*Custom sizes are available upon request*

### Top Plates Allow for Support of Up to Four Platforms

